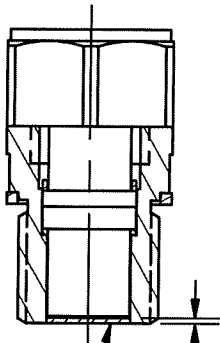


PCB Piezotronics Inc. claims proprietary rights in the information disclosed herein. Neither it nor any reproduction thereof will be disclosed to others without the written consent of PCB Piezotronics Inc.

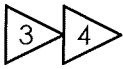
REVISIONS		
REV	DESCRIPTION	DIN
D	UPDATED NOTE 2	39108

6450

DETAIL "A"
ABLATIVE INSTALLATION



ABLATIVE COATING
.020 [.5]
.015 [.4]

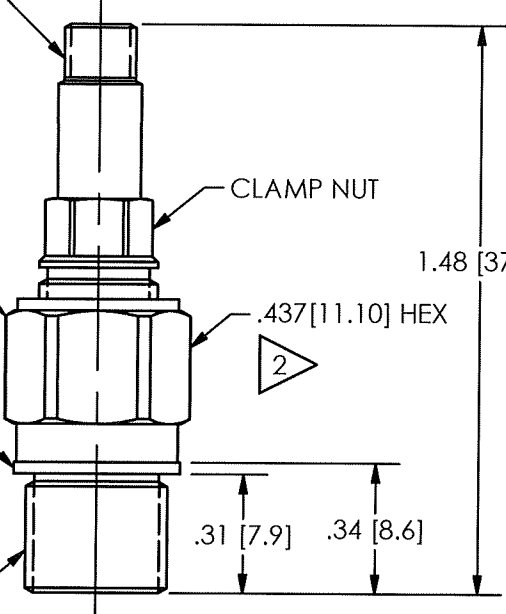


ELECTRICAL CONNECTOR
10-32 THREAD

MODEL 061A
SERIES
ADAPTOR BODY
MATERIAL: 17-4PH

MODEL 065A03
BRASS SEAL
MODEL 065A44
COPPER SEAL
(FOR 102A10 ONLY)

3/8-24 UNF - 2A



CLAMP NUT

1.48 [37.7]

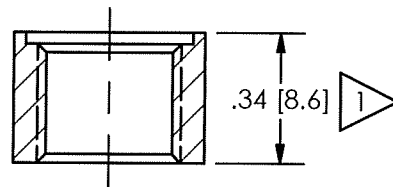
.437 [11.10] HEX



.31 [7.9] .34 [8.6]

MOUNTING HOLE PREPARATION

Ø.339 [8.61] THRU
└─┘ Ø.437 ±.001 [11.13 ±.03] ▽ .030 [.76]
3/8-24 UNF-2B THRU



MOUNTING HOLE DETAIL

- 5 MODEL 065M29 ST STL SEAL AVAILABLE.
- 4 BLACK VINYL ELECTRICIANS TAPE HAS BEEN FOUND TO BE AN EFFECTIVE ABLATIVE MATERIAL, AS IS DC-4 SILICON GREASE.
- 3 "CA" OPTION ONLY.
- 2 MOUNTING TORQUE ON .437 [11.10] HEX: 5 - 8 FT LBS [6.78 - 10.85 NM].
- 1 ABOVE INSTALLATION SHOWN FOR WALL THICKNESS OF .34 [8.6]. THICKER WALLS Ø.75 [19.0] TO CLEAR .437 [11.10] HEX AND ALLOW FOR SOCKET WRENCH.

UNLESS OTHERWISE SPECIFIED TOLERANCES ARE:

DIMENSIONS IN INCHES

DECIMALS XX ±.01
XXX ±.005

ANGLES ± 2 DEGREES

FILLETS AND RADII
.003 - .005

DIMENSIONS IN MILLIMETERS
[IN BRACKETS]

DECIMALS X ± 0.3
XX ± 0.13

ANGLES ± 2 DEGREES

FILLETS AND RADII
0.07 - 0.13

DRAWN

JDM 5/2/12

CHECKED

ECB 5/3/12

ENGINEER

JDK 5/2/12

TITLE

INSTALLATION DRAWING
MODELS 101A05, 102A05, 102A10,
102A15
PRESSURE SENSOR

PCB PIEZOTRONICS INC.

3425 WALDEN AVE. DEPEW, NY 14043
(716) 684-0001 E-MAIL: sales@pcb.com

CODE IDENT. NO.
52681

DWG. NO.

6450

SCALE: 2X

SHEET 1 OF 1