

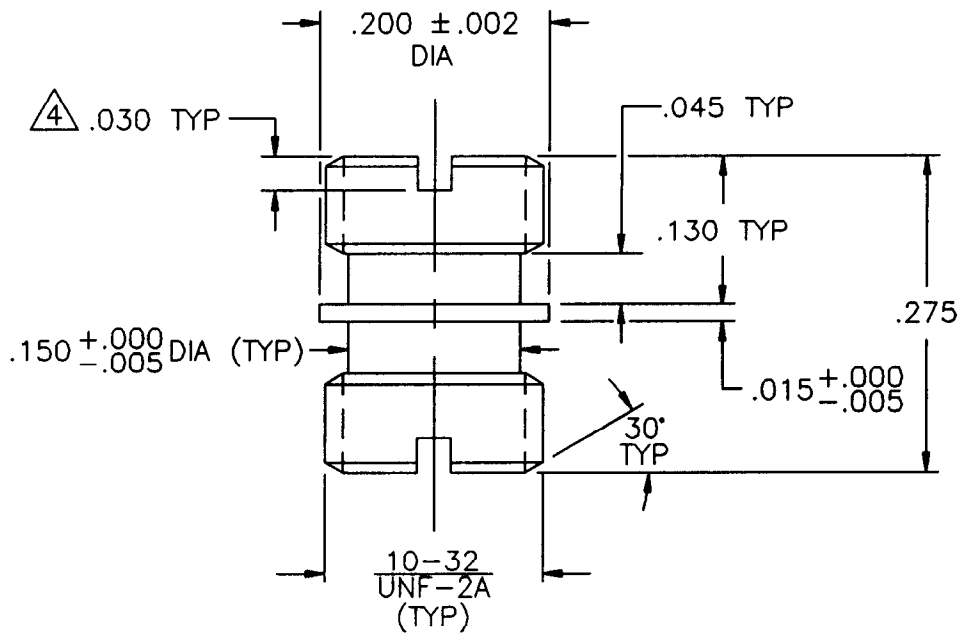
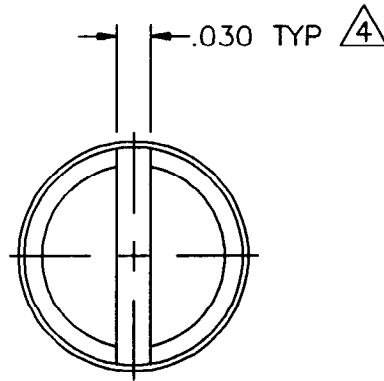
250-0164-00

APPLICATION

QTY	NEXT ASS'Y	USED ON	VAR
1	308-2010-00	308B	-01

REVISIONS

SYM	DESCRIPTION	ECR	DATE	APP'D
D	REDRAWN ON COMPUTER	2616	5/15/89	EO'R 5/89
E	ADD VARIATION -02	3527	12/23/91	
F	REVISED AS PER ECN	4272	5/27/93	Em 5/93



△4 SLOT ORIENTATION NOT REQUIRED

△3 1 HR @ 900°F

△2 2 HRS @ 600° TO 625° F

1) INSIDE CORNERS TO BE .005R MAX

-02	△3 17-4PH ST STL (H900)	081A10	250-0164-02
-01	△2 BERYLCO 33-25 CA173	081B05	250-0164-01
VAR	MATERIAL	MODEL	PART NUMBER

UNLESS SPECIFIED TOLERANCES

DIMENSIONS ARE IN INCHES

FRACTIONS ±1/32

DECIMALS XX ±.010

XXX ±.005

ANGLES ±1/2 DEGREE

FILLETS AND RADII .003 - .005

MATERIAL

HEAT TREAT

FINISH

△2 △3

63 ✓

DRAWN KAK 5/27/93 MFG RTA 6/3/93

CHK'D Em 6/2/93 ENGR P.M. 6/2/93

APP'D [Signature] 6/2/93 SALES

TITLE

MOUNTING STUD

MODEL 081B05/081A10

**PCB** PIEZOTRONICS, INC.

3425 WALDEN AVE. DEPEW, NEW YORK 14043

PHONE: (716) 884-0001

CODE IDENT. NO. 52681

DWG. NO. 250-0164-00

SCALE: 6X

SHEET 1 OF 1