

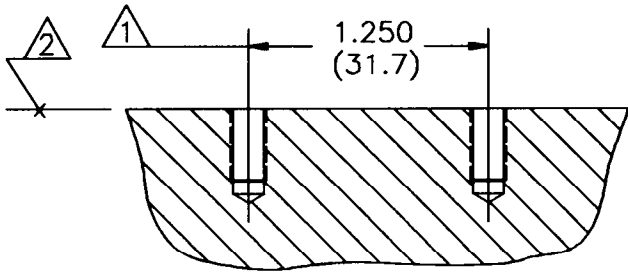
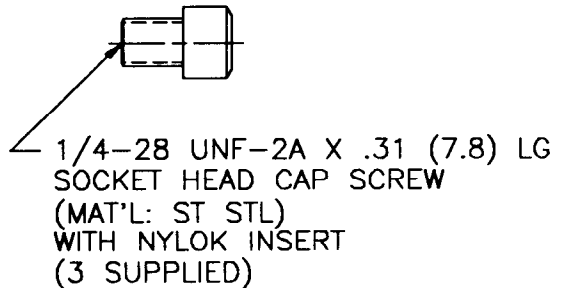
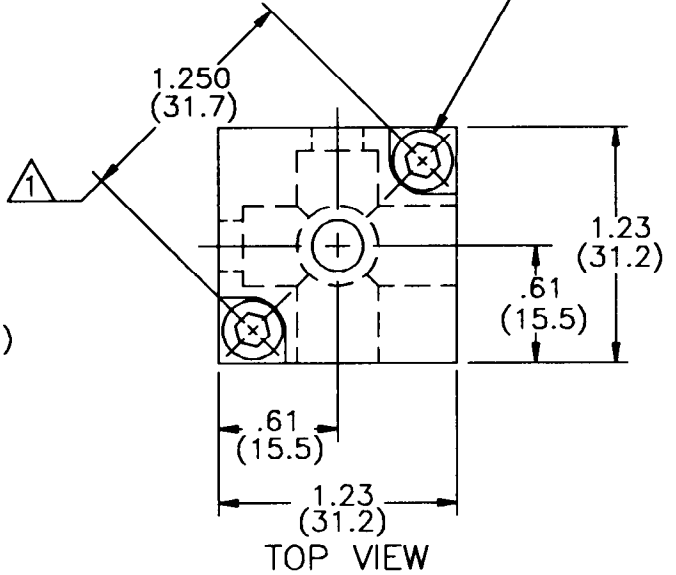
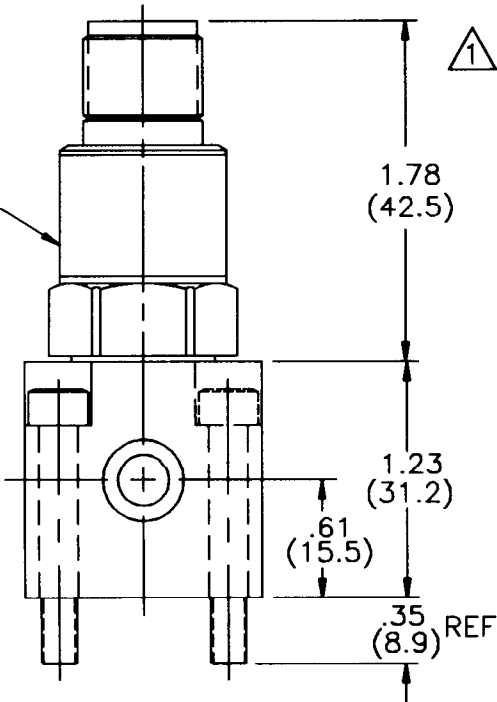
080-1620-90

| APPLICATION |         |     |
|-------------|---------|-----|
| NEXT ASS'Y  | USED ON | VAR |
|             |         |     |

| REVISIONS |                    |      |         |            |
|-----------|--------------------|------|---------|------------|
| REV       | DESCRIPTION        | ECN  | DATE    | APP'D      |
| B         | REVISED AS PER ECR | 3568 | 2/12/92 | um 2/11/92 |

10-32 UNF-2A X 1.25 (31.7) LG.  
 SOCKET HEAD CAP SCREW (MAT'L: ST STL)  
 ON A  $\phi$ 1.250 ( $\phi$ 31.7) BOLT CIRCLE  
 (2 SUPPLIED)

MODEL 328C04  
 ACCELEROMETER  
 (NOT SUPPLIED)



MOUNTING HOLE PREPARATION:

DRILL #21  $\phi$ .159 ( $\phi$ 4.04)  
 X .450 (11.4)  $\nabla$  MIN  
 TAP 10-32 UNF-2B  
 X .375 (9.53)  $\nabla$  PERF THD  
 TYP 2 PLACES AS SHOWN

$\triangle 2$  SURFACE TO BE FLAT TO WITHIN .001 (.03) TIR OVER A  $\phi$ 1.750 ( $\phi$ 44.45) WITH AT LEAST  $63\sqrt{}$  ( $1.6\sqrt{}$ ) FINISH.

$\triangle 1$  DIAGONAL MOUNTING DIMENSION BETWEEN MOUNTING HOLES.

NOTES:

|   |  |       |  |         |      |      |         |  |
|---|--|-------|--|---------|------|------|---------|--|
| UNLESS SPECIFIED TOLERANCES                 |  | DRAWN | M.T.T.   | 3/17/92 | MFG  | KJA  | 2/16/92 | <b>PCB</b> PIEZOTRONICS, INC.<br>3425 WALDEN AVE. DEPEW, NEW YORK 14043<br>PHONE: (716) 684-0001 |
| DIMENSIONS IN INCHES                        | DIMENSIONS IN MILLIMETERS (IN PARENTHESIS) | CHK'D | om   | 2/17/92 | ENGR | P.M. | 2/15/92 |  |
| DECIMALS XX $\pm$ .01<br>XXX $\pm$ .005     | DECIMALS X $\pm$ 0.3<br>XX $\pm$ 0.13      | APP'D | [Signature]  | 3/18/92 |      |      |         |  |
| ANGLES $\pm$ 2 DEGREES                      | ANGLES $\pm$ 2 DEGREES                     | TITLE | INSTALLATION DRAWING<br>MODEL 080A62<br>TRI-AXIAL CUBE |         |      |      |         |  |
| FILLETS AND RADII .003 - .005 (0.07 - 0.13) |  |       |  |         |      |      |         | SCALE: FULL SHEET 1 OF 1   |