

12400

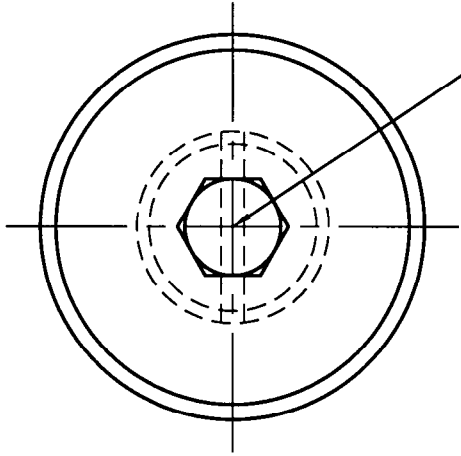
PCB Piezotronics Inc. claims proprietary rights in the information disclosed hereon. Neither it nor any reproduction thereof will be disclosed to others without written consent of PCB Piezotronics Inc.

APPLICATION

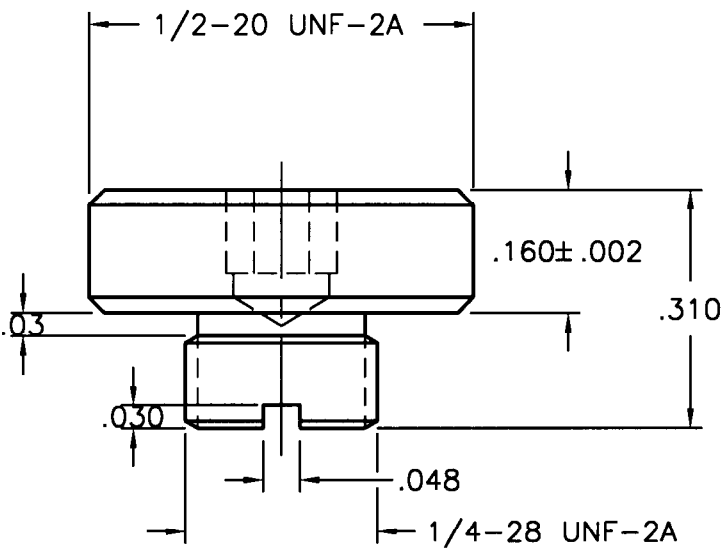
NEXT ASS'Y	USED ON	VAR
	607A11	-01
	607M02	-01

REVISIONS

REV	DESCRIPTION	ECN	DATE	APP'D
B	REVISED PER ECN	11905	6/1/00	isn6/0-



ϕ .125
 X .140 ∇
 BROACH 1/8" HEX
 X .110 ∇



-01	080A156	12400-01
VAR	MODEL	PART NUMBER

UNLESS SPECIFIED TOLERANCES
 DIMENSIONS ARE IN INCHES
 DECIMALS XX ± .01
 XXX ± .005
 ANGLES ± 2 DEGREES
 FILLETS AND RADII
 .003 - .005
 DD007 REV. B 03/13/98

MATERIAL 17-4PH
 HEAT TREAT H900
 FINISH 63 ✓

DRAWN TW 6/1/00 MFG PSL 6/7/00
 CHK'D DM 6/1/00 ENGR MZ 6/6/00
 APP'D DM 6/6/00
 TITLE MOUNTING STUD

PCB PIEZOTRONICS™
 3425 WALDEN AVE. DEPEW, NY 14043
 (716) 684-0001 EMAIL: SALES@PCB.COM
 CODE IDENT. NO. 52681
 DWG. NO. 12400
 SCALE: 4X SHEET 1 OF 1