

9656

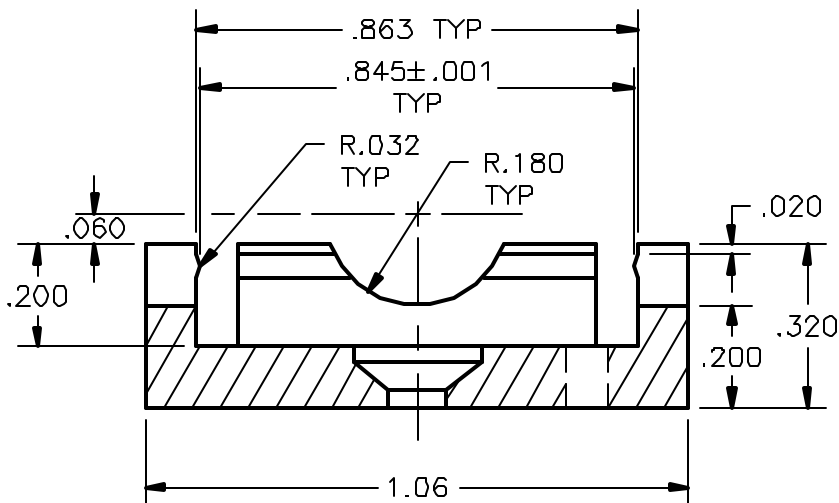
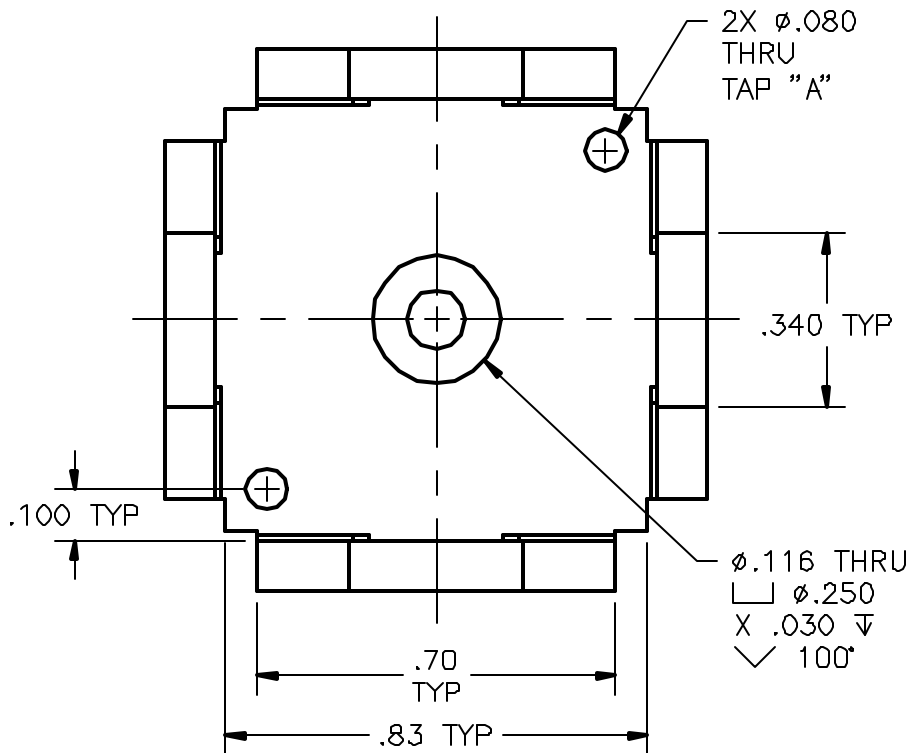
PCB Piezotronics Inc. claims proprietary rights in the information disclosed hereon. Neither it nor any reproduction thereof will be disclosed to others without written consent of PCB Piezotronics Inc.

APPLICATION

NEXT ASS'Y	USED ON	VAR
	37Q SERIES	

REVISIONS

REV	DESCRIPTION	ECN	DATE	APP'D
A	REVISED PER ECR	9821	12/1/98	



-02	M080A152	TAP M2.5 X .45	9656-02
-01	080A152	TAP 4-40 UNC-2A	9656-01
VAR	MODEL	"A"	PART NUMBER

UNLESS SPECIFIED TOLERANCES
 DIMENSIONS ARE IN INCHES
 DECIMALS XX ± 01
 XXX ± .005
 ANGLES ± 2 DEGREES
 FILLETS AND RADII
 .003 - .005

MATERIAL
ABS
 HEAT TREAT
 FINISH
 63/

DRAWN
 CHK'D
 APP'D
 TITLE
EASY MOUNTING BASE

PCB PIEZOTRONICS
 3425 WALDEN AVE. DEPEW, NY 14043
 (716) 684-0001 EMAIL: SALES@PCB.COM

CODE IDENT. NO. 526B1
 DWG. NO. 9656
 SCALE: 1=3/8 SHEET 1 OF 1