

APPLICATION

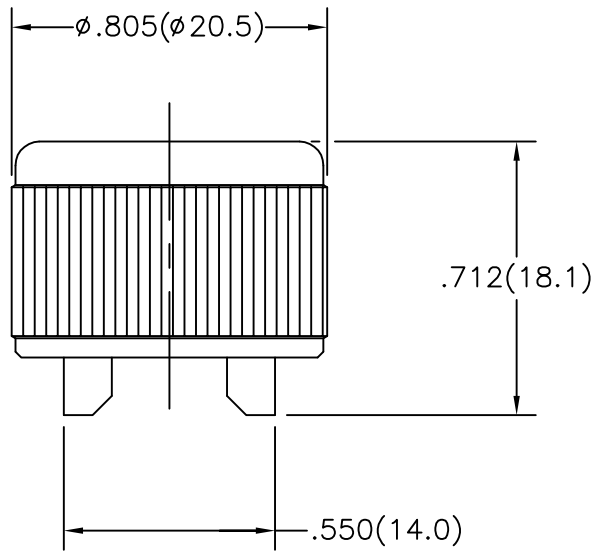
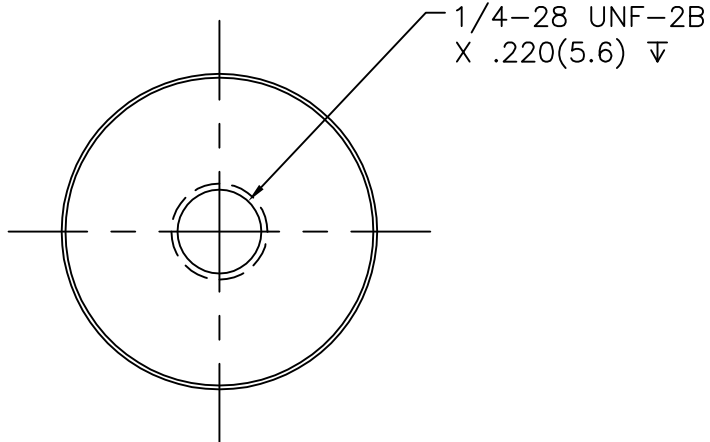
NEXT ASS'Y	USED ON	VAR

REVISIONS

REV	DESCRIPTION	ECN	DATE	APP'D

16500

PCB Piezotronics Inc. claims proprietary rights in the information disclosed herein. Neither it nor any reproduction thereof will be disclosed to others without written consent of PCB Piezotronics Inc.



UNLESS SPECIFIED TOLERANCES

DIMENSIONS IN INCHES	DIMENSIONS IN MILLIMETERS (IN PARENTHESIS)
DECIMALS XX $\pm$ .01	DECIMALS XX $\pm$ 0.3
XXX $\pm$ .005	XXX $\pm$ 0.13
ANGLES $\pm$ 2 DEGREES	ANGLES $\pm$ 2 DEGREES

FILLETS AND RADII	FILLETS AND RADII
.003 - .005	(0.07 - 0.13)

DRAWN		MFG	
CHK'D		ENGR	
APP'D		SALES	

TITLE  
 OUTLINE DRAWING  
 MODEL 080A130  
 CURVED SURFACE MAGNET

**PCB PIEZOTRONICS**  
 3425 WALDEN AVE. DEPEW, NY 14043  
 (716) 684-0001 EMAIL: SALES@PCB.COM

CODE IDENT. NO. 52681	DWG. NO. 16500
--------------------------	-------------------

SCALE: 2 : 1 SHEET 1 OF 1