

16498

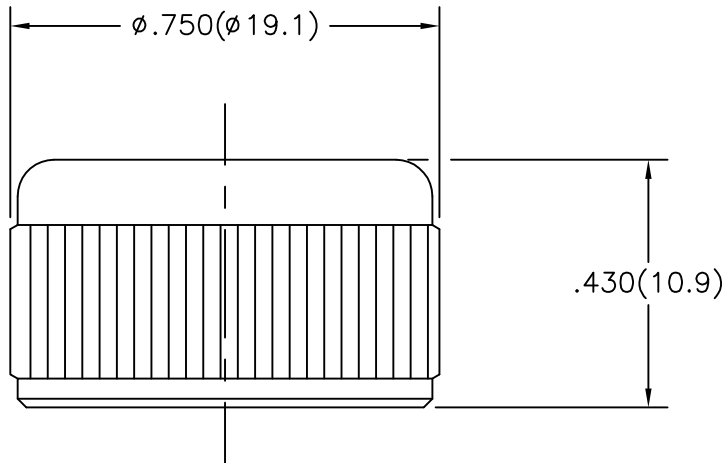
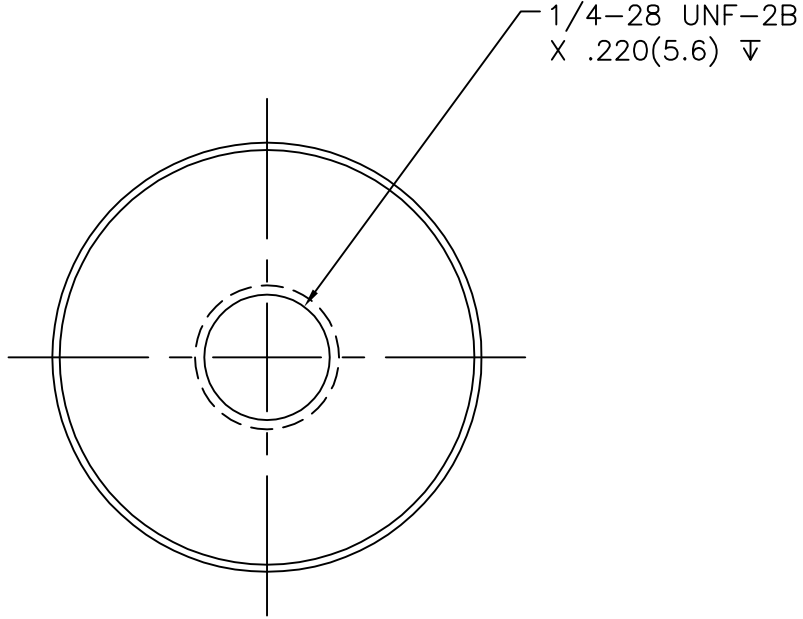
PCB Piezotronics Inc. claims proprietary rights in the information disclosed hereon. Neither it nor any reproduction thereof will be disclosed to others without written consent of PCB Piezotronics Inc.

APPLICATION

NEXT ASS'Y	USED ON	VAR

REVISIONS

REV	DESCRIPTION	ECN	DATE	APP'D



UNLESS SPECIFIED TOLERANCES

DIMENSIONS IN INCHES	DIMENSIONS IN MILLIMETERS (IN PARENTHESIS)
DECIMALS XX $\pm$ .01 XXX $\pm$ .005	DECIMALS XX $\pm$ 0.3 XXX $\pm$ 0.13
ANGLES $\pm$ 2 DEGREES	ANGLES $\pm$ 2 DEGREES
FILLETS AND RADII .003 - .005	FILLETS AND RADII (0.07 - 0.13)

DRAWN		MFG	
CHK'D		ENGR	
APP'D		SALES	

**PCB PIEZOTRONICS**  
 3425 WALDEN AVE. DEPEW, NY 14043  
 (716) 684-0001 EMAIL: SALES@PCB.COM

TITLE  
 OUTLINE DRAWING  
 MODEL 080A120  
 FLAT SURFACE MAGNET

CODE IDENT. NO. 52681	DWG. NO. 16498
--------------------------	-------------------

SCALE: 3 : 1 SHEET 1 OF 1