

3998

PCB Piezotronics Inc. claims proprietary rights in the information disclosed hereon. Neither it nor any reproduction thereof will be disclosed to others without written consent of PCB Piezotronics Inc.

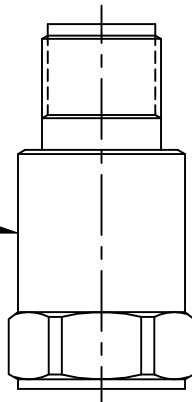
APPLICATION

NEXT ASS'Y	USED ON	VAR

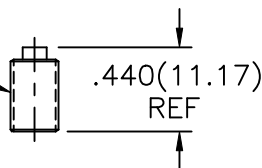
REVISIONS

REV	DESCRIPTION	ECN	DATE	APP'D
A	REVISED PER ECN	7394	12/11/96	

TRANSDUCER  
(NOT SUPPLIED)

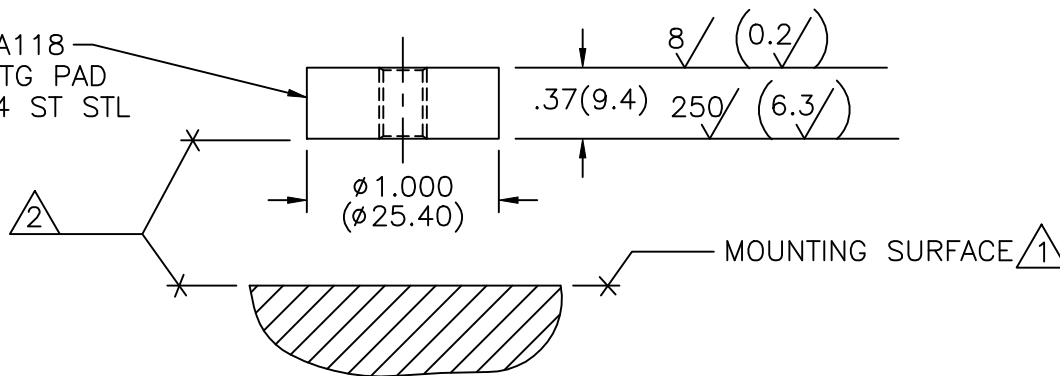


MODEL 081A40  
1/4-28 UNF-2A  
MOUNTING STUD  
(NOT SUPPLIED)



ALSO AVAILABLE:  
MODEL 080A54 MAGNETIC  
MOUNTING BASE WITH  
1/4-28 UNF-2A INTEGRAL  
THREAD (NOT SUPPLIED)

MODEL 080A118  
ADHESIVE MTG PAD  
MAT'L: 17-4 ST STL



- △2 USE ARMSTRONG A-36 A & B RESIN OR EQUIVALENT BETWEEN MOUNTING SURFACE AND PAD.
- △1 FOR BEST RESULTS, MOUNTING SURFACE SHOULD BE FLAT TO WITHIN .001(0.03) TIR OVER  $\phi 1.0(\phi 25.4)$  WITH A  $\frac{250}{200} \left( \frac{6.3}{5.0} \right)$  FINISH.

UNLESS SPECIFIED TOLERANCES		DRAWN		MFG		<p>3425 WALDEN AVE. DEPEW, NEW YORK 14043 PHONE: (716) 684-0001</p>
DIMENSIONS IN INCHES	DIMENSIONS IN MILLIMETERS (IN PARENTHESIS)	CHK'D		ENGR		
DECIMALS XX ±.01 XXX ±.005	DECIMALS XX ±0.3 XXX ±0.13	APP'D				
ANGLES ±2 DEGREES	ANGLES ±2 DEGREES	TITLE			INSTALLATION DRAWING MODEL 080A118 ADHESIVE MOUNTING PAD	CODE IDENT. NO. 52681
FILLET AND RADII .003 - .005	FILLET AND RADII (0.07 - 0.13)					DWG. NO. 3998
DD011 REV. A 05/26/95						SCALE: FULL SHEET 1 OF 1