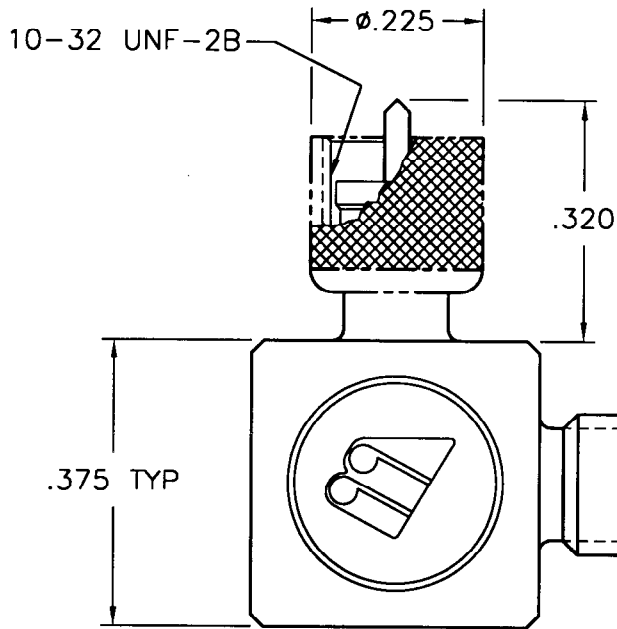
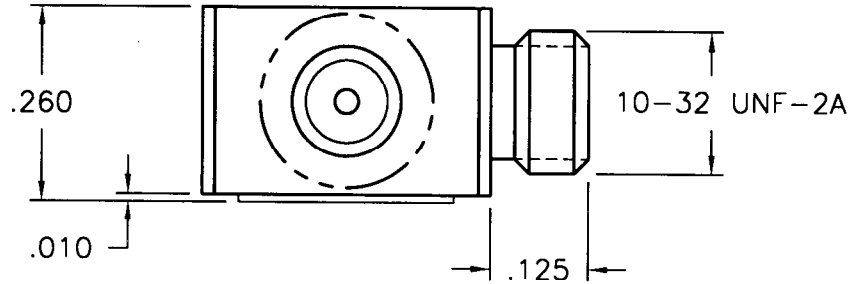


10405

PCB Piezotronics Inc. claims proprietary rights in the information disclosed hereon. Neither it nor any reproduction thereof will be disclosed to others without written consent of PCB Piezotronics Inc.

APPLICATION		
NEXT ASS'Y	USED ON	VAR

REVISIONS				
REV	DESCRIPTION	ECN	DATE	APP'D



REFERENCE PART NO: 310-0077-00

UNLESS SPECIFIED TOLERANCES		DRAWN	C. C!	2/5/99	MFG	RJA	2/8/99	 3425 WALDEN AVE. DEPEW, NY 14043 (716) 684-0001 EMAIL: SALES@PCB.COM
DIMENSIONS IN INCHES	DIMENSIONS IN MILLIMETERS (IN PARENTHESIS)	CHK'D	DM	2/5/99	ENGR	jam	2/5/99	
DECIMALS XX ±.01 XXX ±.005	DECIMALS XX ±0.3 XXX ±0.13	APP'D		2/8/99				DWG. NO. 10405
ANGLES ±2 DEGREES	ANGLES ±2 DEGREES	TITLE						SCALE: 4X
FILLETS AND RADII .003 - .005	FILLETS AND RADII (0.07 - 0.13)	OUTLINE DRAWING MODEL 070A20 MODULE BLOCK						SHEET 1 OF 1
DD011 REV. B 03/13/98								